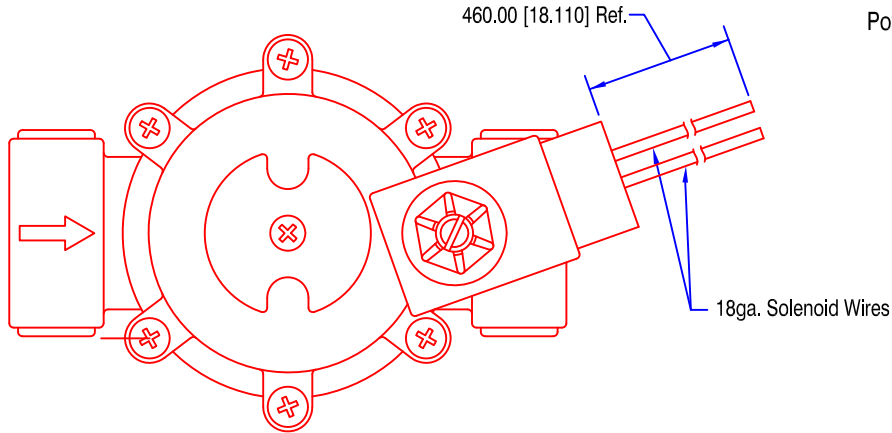
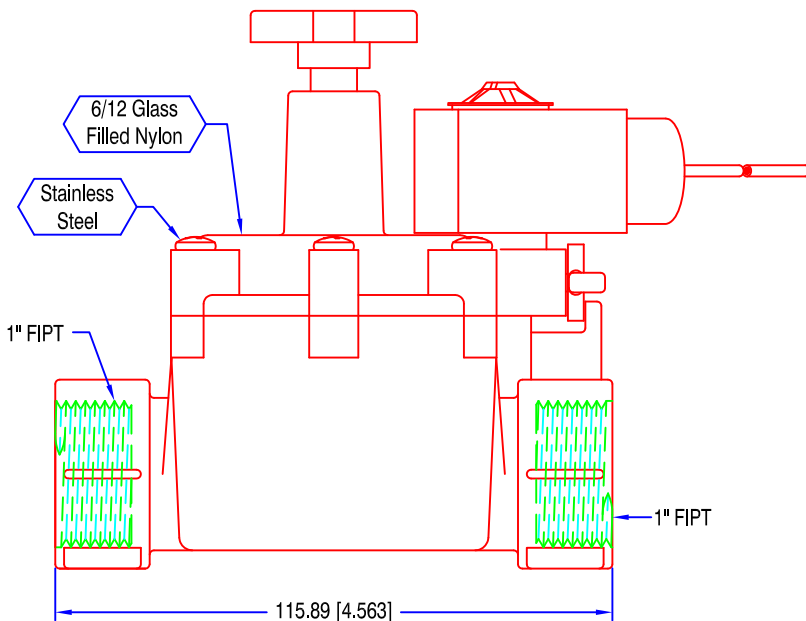


Revision #	Revision Comments	Date
------------	-------------------	------

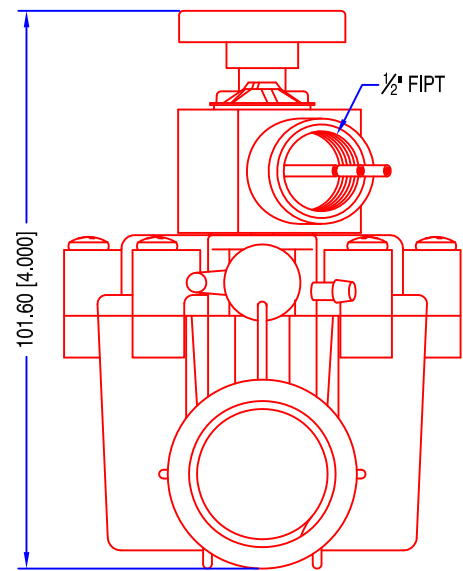
Note:
 Inlet pressure Max = 60 psi
 Max Flow Rate = 25 gpm
 Power = 110 V, 50 / 60 Hz



Top View



Front View



Side View



UFS Corporation
 330 North 400 East
 Valparaiso, IN 46383 USA
 Fax: (219) 464-8646
 Tel: (219) 464-2027
 Sales Ext. 17
 Customer Service Ext. 28
 Production Ext. 24
 Engineering Ext. 14
 Visit us on the WEB
www.ufsc.com

Valve, PG, Solenoid, 115 V, FxF, 1

UFS PN: 360035

THIS DRAWING IS THE CONFIDENTIAL PROPERTY OF UFS CORPORATION AND SHOULD NOT BE USED IN ANY WAY DETRIMENTAL TO THE CORPORATION'S INTEREST. MATERIAL SHOULD NOT BE COPIED OR REPRODUCED IN PART OR IN WHOLE, AND INFORMATION FROM IT SHALL NOT BE FURNISHED TO OTHERS WITHOUT WRITTEN PERMISSION. ALL RIGHTS OF DESIGN AND INVENTION ARE RESERVED BY UFS CORPORATION. MATERIAL TO BE RETURNED UPON REQUEST.

Designed By:	Dickerson
Approved By:	Jovanovic
Date:	12/4/07
Sheet:	1/1
Units:	mm[in]
Scale:	None