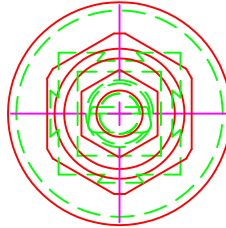


Notes

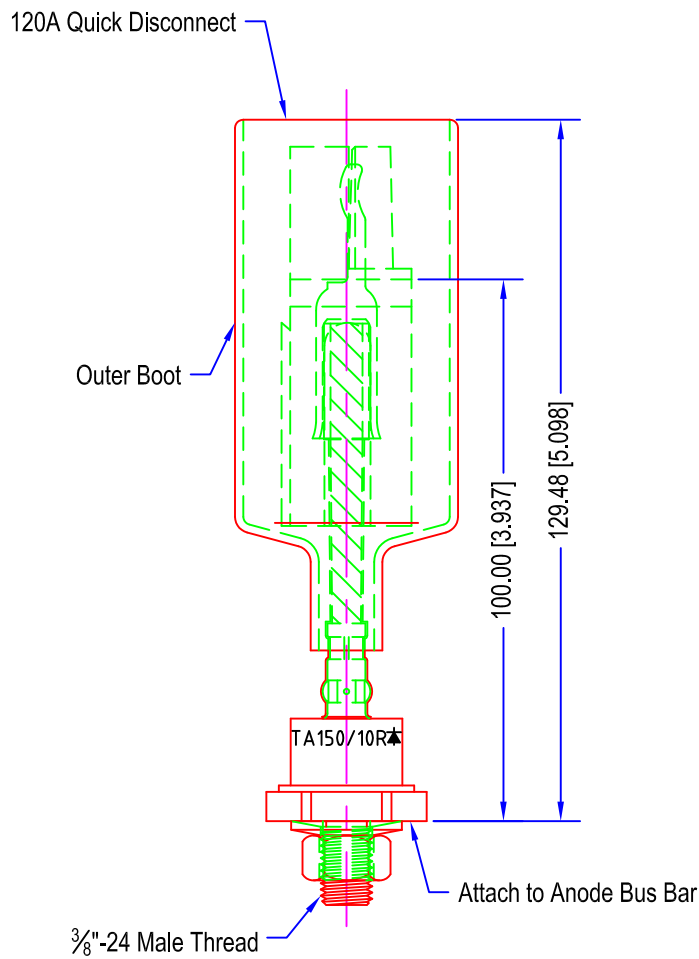
- 1) Hex Nut and Lock Washer are to be placed in miscellaneous rack.
- 2) Heat Sink NOT included and must be provided for installation.

Rating

- 1) Maximum Rating:
120 Amps @ 1000 VDC



Top View



Side View

XXXXXX = Part Number



Tel: +219-464-2027	Designed By:	JS
Fax: +219-464-8646	Date:	10Jan00
Visit us on the Web at www.ufsc.com	Approved By:	SJ
	Date:	14Jan00

CbLead, 120A, L Half, 300041

UFS Part No. 300041

Sheet:	1/1
Revision:	0
Units:	mm[in]
Scale:	None

THIS MATERIAL IS THE CONFIDENTIAL PROPERTY OF UFS CORPORATION AND SHOULD NOT BE USED IN ANY WAY DETRIMENTAL TO THE CORPORATION'S INTEREST. MATERIAL SHOULD NOT BE COPIED OR REPRODUCED IN PART OR IN WHOLE, AND INFORMATION FROM IT SHALL NOT BE FURNISHED TO OTHERS WITHOUT WRITTEN PERMISSION. ALL RIGHTS OF DESIGN AND INVENTION ARE RESERVED BY UFS CORPORATION. MATERIAL TO BE RETURNED UPON REQUEST.