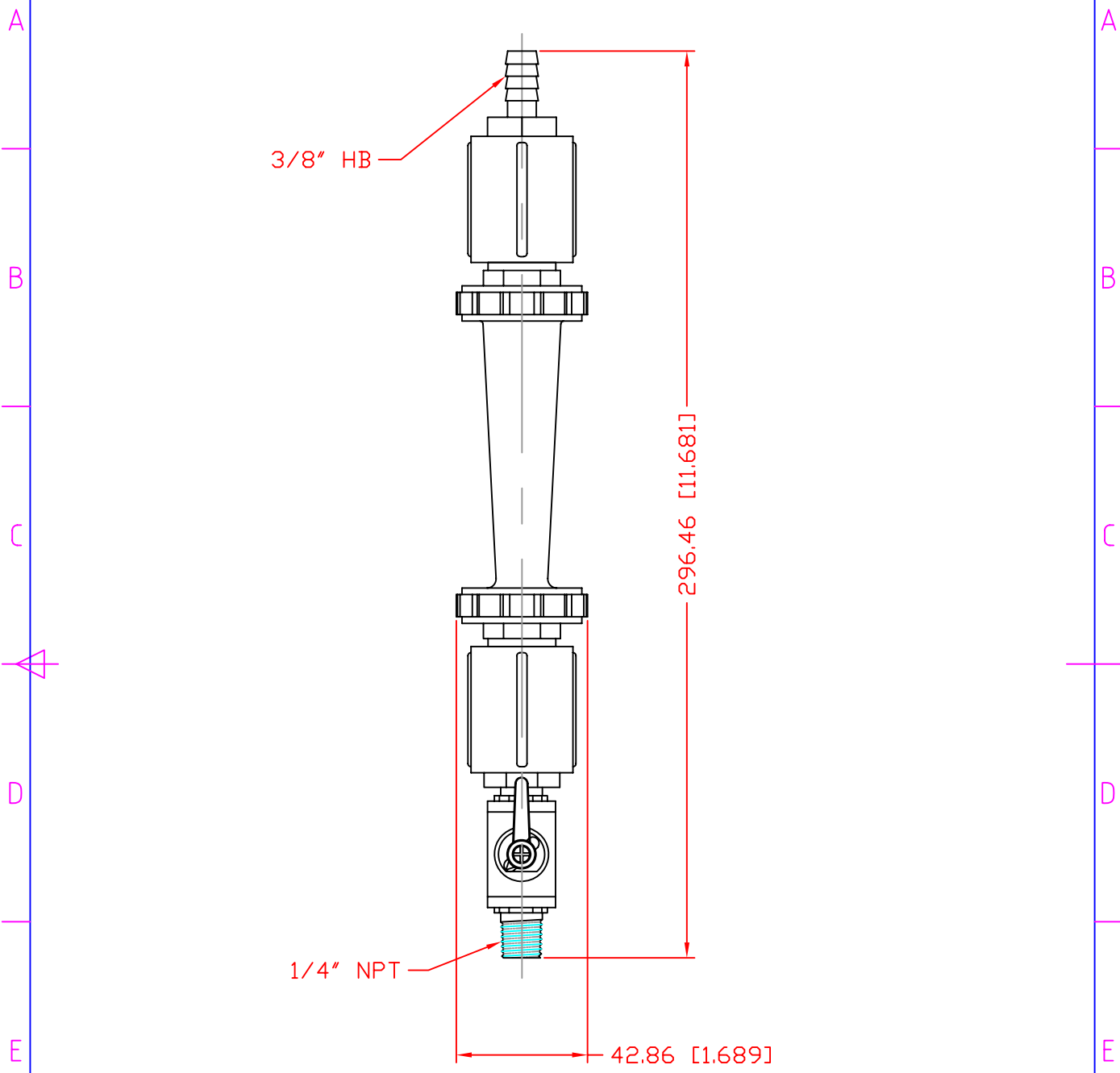


1	2	3	4
RevNo	Revision Note	Date	Signature
			Checked



Part Number

Designed By: JS	Date: 12Jul99	Approved By: SJ	Date: 12Jul99	Units: mm[in]	Scale: None
	Tel: +219-464-2027 Fax: +219-464-8646	Flwmtr, Valve, 2-2GPM, 3/8HB			
	Visit us on the Web at www.ufsc.com	UFS Part No. 225044	Edition 0	Sheet 1/1	
<small>THIS MATERIAL IS THE CONFIDENTIAL PROPERTY OF UFS CORPORATION AND SHOULD NOT BE USED IN ANY WAY DETRIMENTAL TO THE CORPORATION'S INTEREST. MATERIAL SHOULD NOT BE COPIED OR REPRODUCED IN PART OR IN WHOLE, AND INFORMATION FROM IT SHALL NOT BE FURNISHED TO OTHERS WITHOUT WRITTEN PERMISSION. ALL RIGHTS OF DESIGN AND INVENTION ARE RESERVED BY UFS CORPORATION. MATERIAL TO BE RETURNED UPON REQUEST.</small>					